

# Accessories & Parts

## EQ-A12-KJKCP

### Product Type

---

4" Cover plate for EQ® Series

### Features & Specifications

---

- Includes mounting hardware
- For use with EQ Series Curved or High Arc spouts
- 4" fixed centers
- Complies with the requirements of the Buy American Act of 1933.
- CFNow! Item Ships in 3 Days

### Warranty

---

- 1-Year Limited Finish Warranty

### Codes & Standards

---

Job Name \_\_\_\_\_

Item Number \_\_\_\_\_

Section/Tag \_\_\_\_\_

Model Specified \_\_\_\_\_

Architect \_\_\_\_\_

Engineer \_\_\_\_\_

Contractor \_\_\_\_\_

Submitted as Shown

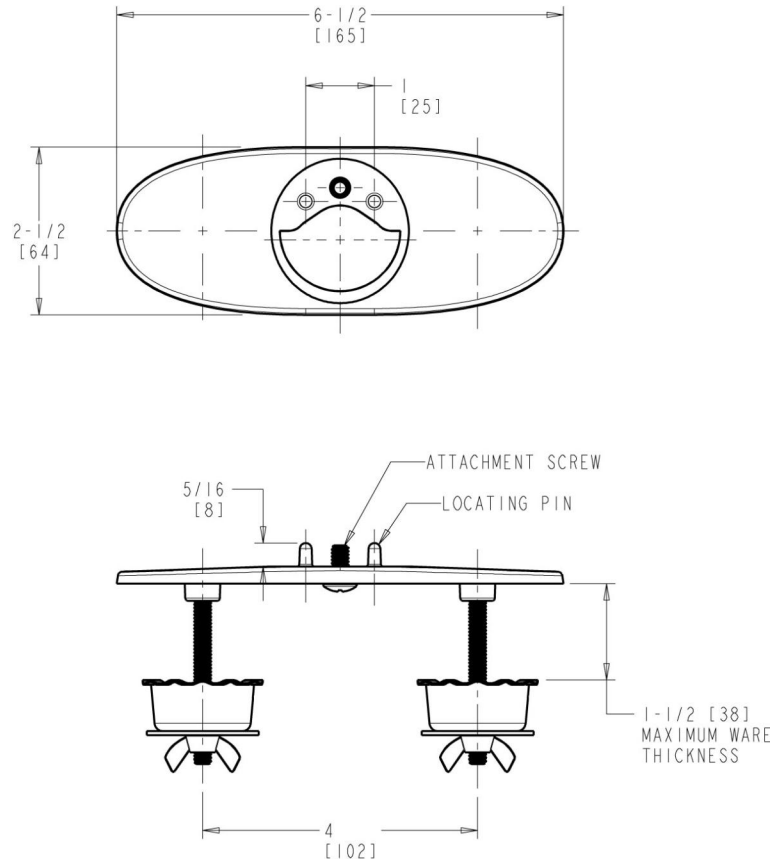
Submitted with Variations

Date \_\_\_\_\_



## Architect/Engineer Specification

Chicago Faucets model no. EQ-A12-KJKCP, 4" cover plate for EQ® Series touchless faucets. Polished chrome finish. For deck-mounted, 3-hole, 4-inch center installations. Mounting hardware included. 1-year limited finish warranty.



## Operation and Maintenance

Installation should be in accordance with local plumbing codes. Flush all pipes thoroughly before installation. After installation, remove spout outlet or flow control and flush faucet thoroughly to clear any debris. Care should be taken when cleaning the product. Do not use abrasive cleaners, chemicals or solvents as they can result in surface damage. Use mild soap and warm water for cleaning and protecting the life of Chicago Faucet products. For specific operation and maintenance refer to the installation instructions and repair parts documents that are located at [www.chicagofaucets.com](http://www.chicagofaucets.com).

Chicago Faucets, member of the Geberit Group, is the leading brand of commercial faucets and fittings in the United States, offering a complete range of products for schools, laboratories, hospitals, office buildings, food service, airports and sport facilities. Call 1.800.TECTRUE or 1.847.803.5000 Option 1 for installation or other technical assistance.

